

Bose® VideoWave™ Entertainment System

Wall Mount Placement Guidelines

Optimum A/V Monitor Placement Guidelines

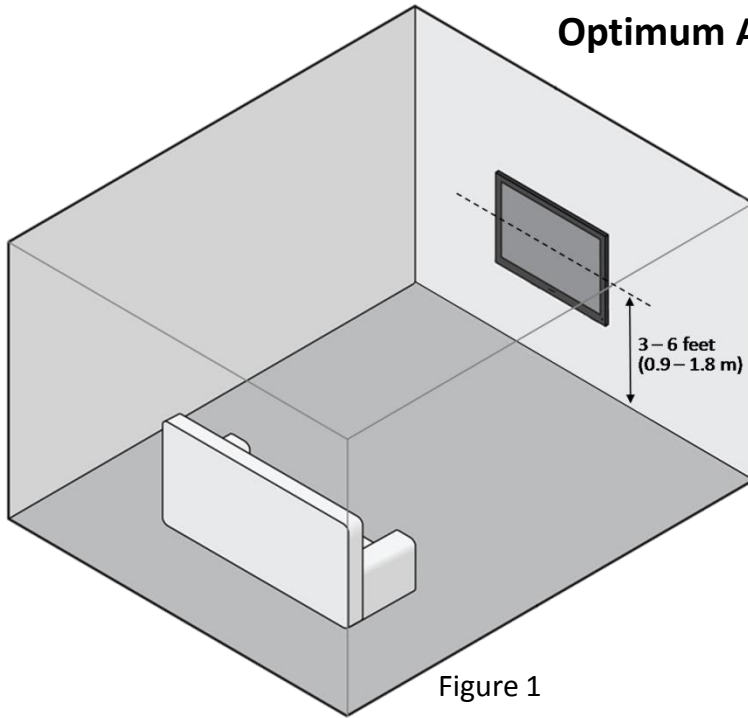


Figure 1

Note: Avoid placement where the bottom edge of the A/V Monitor exactly bisects the distance between the floor and the ceiling.

- Use a mounting height between 3 and 6 feet from the floor to the vertical center of the screen. (figure 1)
 - For optimum audio and video performance, position the vertical center of the screen at eye level when seated.
- If possible, center the A/V monitor between the side walls of the room. (figure 2)
- Preferably, allow 3 – 10 ft. between A/V monitor and the side walls. (figure 2)
- Try to keep the area between the side walls and the A/V monitor free of obstructions.

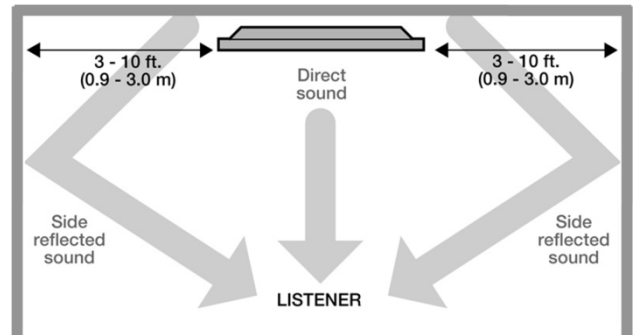
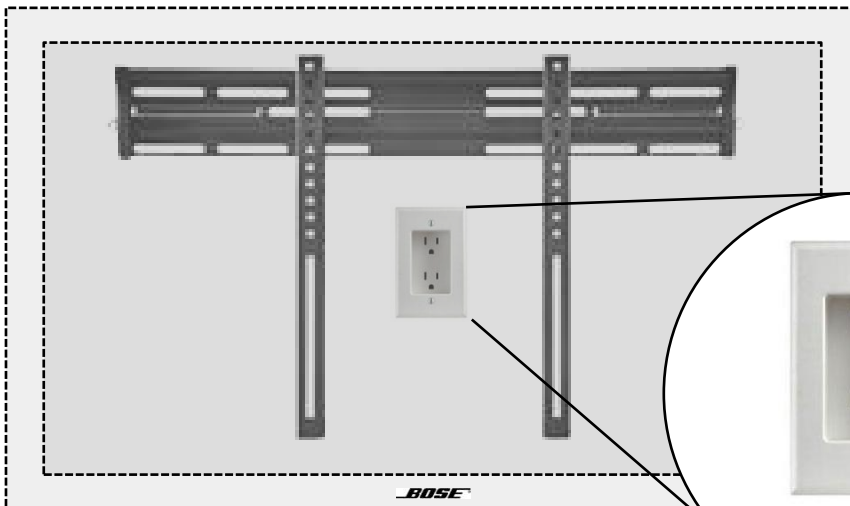
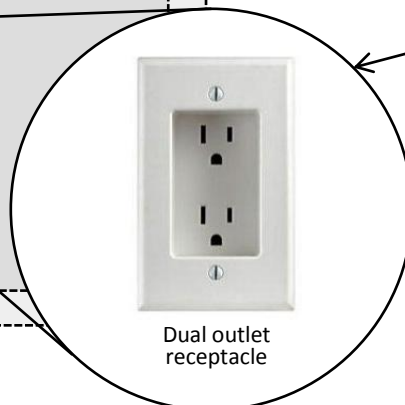


Figure 2

Wall Bracket and Recessed A/C Receptacle Placement Overview



- This illustration represents an ideal placement scenario for the wall bracket and a standard recessed A/C receptacle. (see page two for more details)



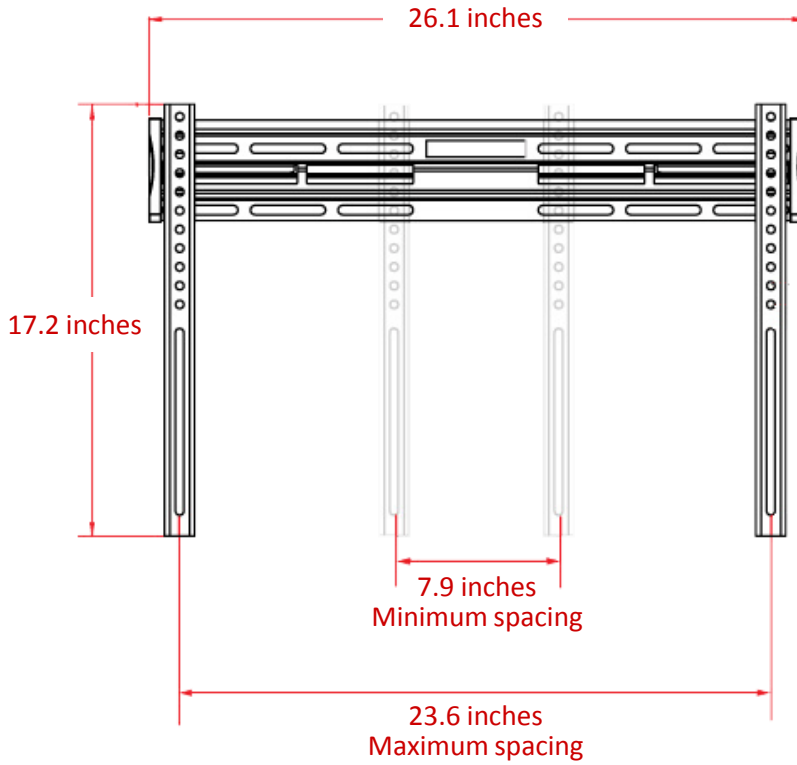
Dual outlet receptacle

Commonly available recessed A/C receptacles



Single outlet clock receptacle

Wall Bracket Dimensions



Optimum A/C Receptacle Placement Guidelines

